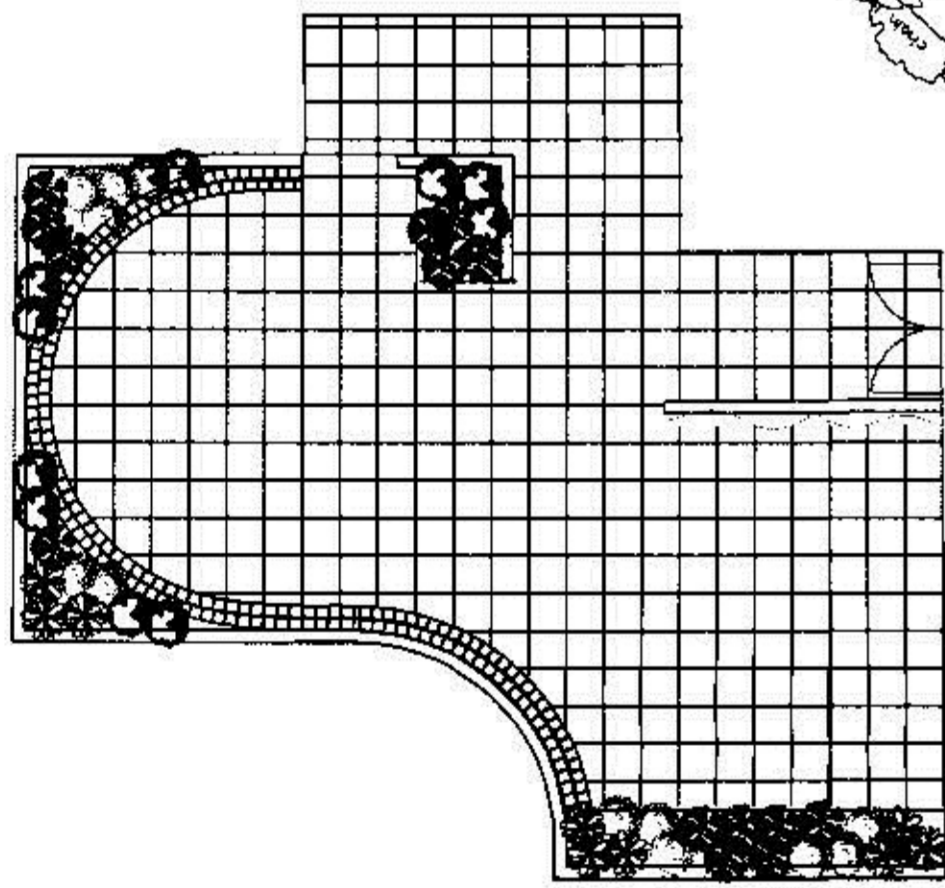


PREVIOUS RESERVED MATTERS APPROVAL
TVN.03232/4

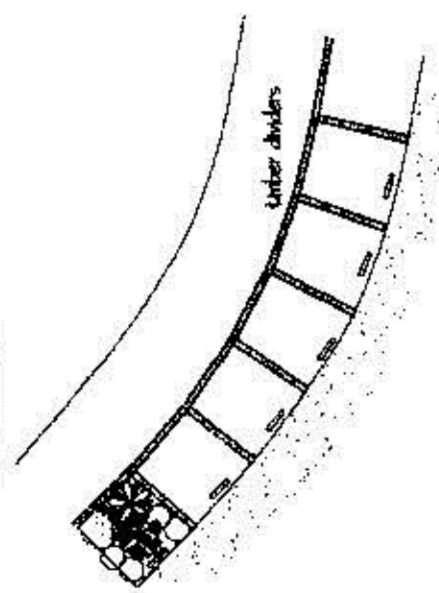
SCALE: 1:500 SURVEYED: JCR DRAWN: JCR DATE:

TEST VALLEY BOROUGH COUNCIL PLANNING SERVICE	
Appr. No.	TVN03232/4
Recd. On	11/01/2004
Decision	

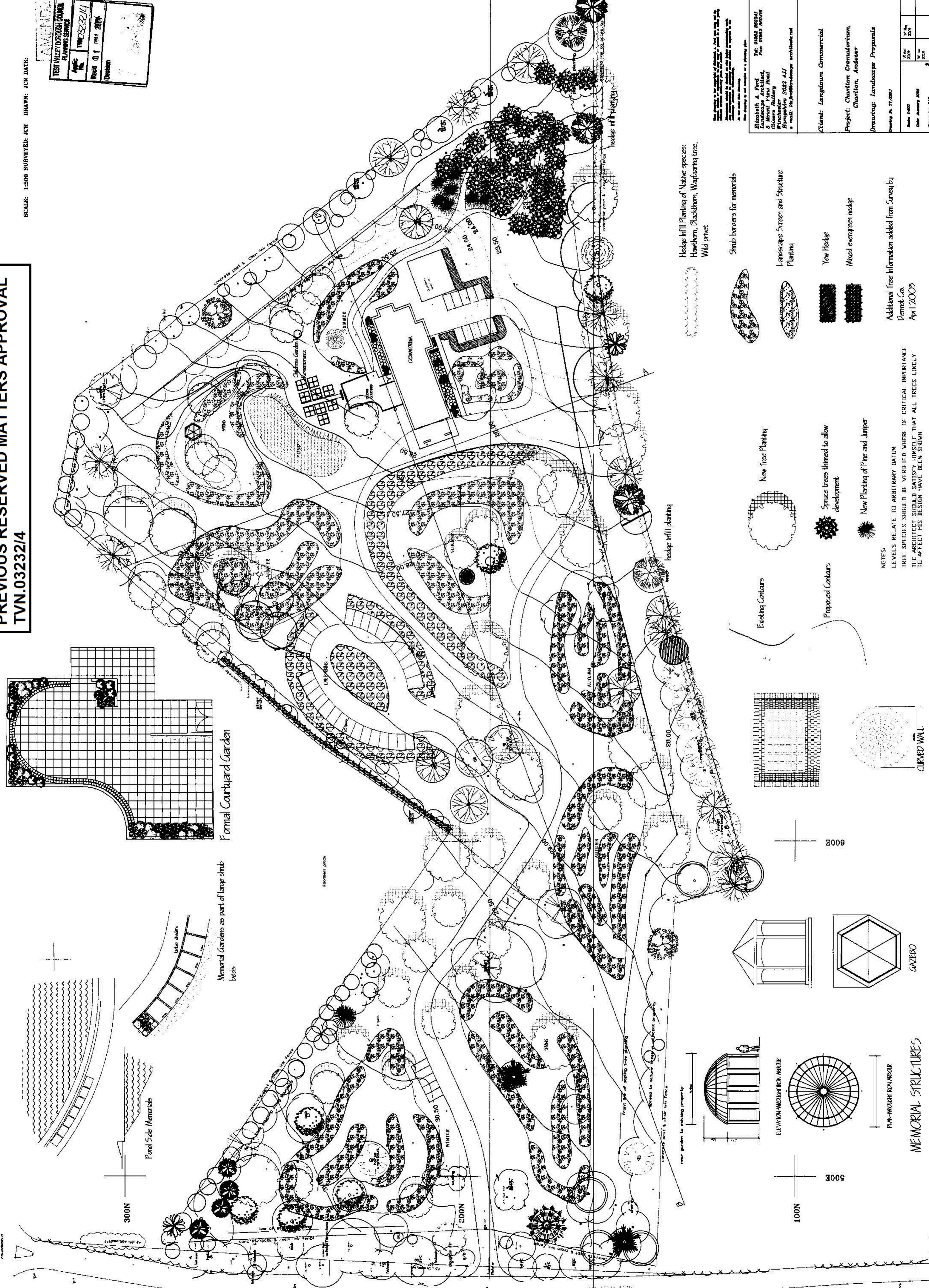


Formal Courtyard Garden

Memorial Gardens as part of large shrub beds



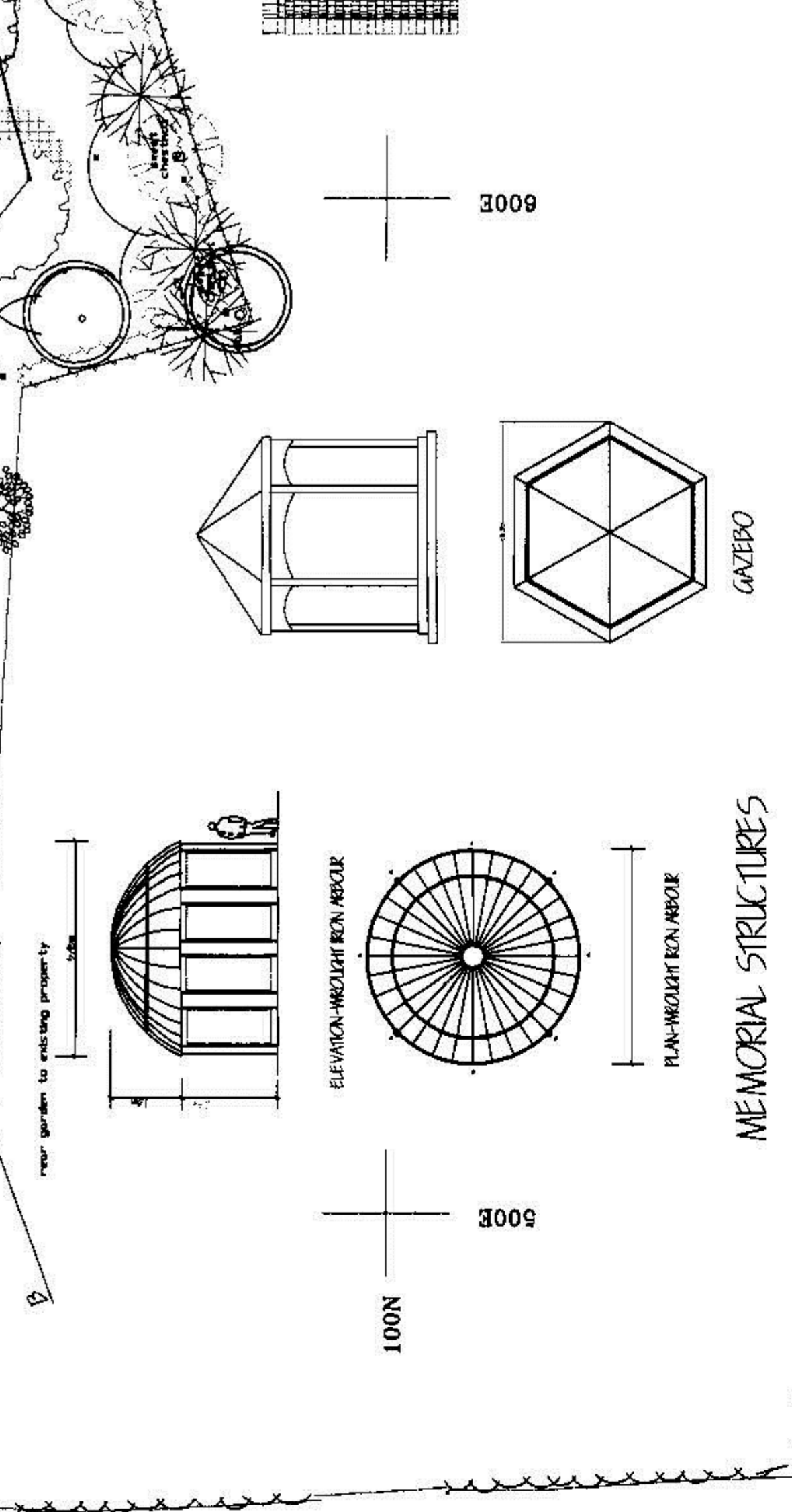
Pond Side Memorials



- Hedge Miff Planting of Native species: Hawthorn, Blackthorn, Wistaria tree, Wild privet
- Shrub borders for memorials
- Landscape Screen and Structure Planting
- New Hedge
- Mixed evergreen hedge

- Existing Contours
- Proposed Contours
- New Tree Planting
- Spruce trees thinned to allow development
- New Planting of Pine and Juniper

- new garden to existing property
- ELEVATION-MEMORIAL REAR ARCH
- PLAN-MEMORIAL REAR ARCH
- MEMORIAL STRUCTURES
- GAZEBO
- CURVED WALL



NOTES:
 LEVELS RELATE TO ARBITRARY DATUM
 TREE SPECIES SHOULD BE VERIFIED WHERE OF CRITICAL IMPORTANCE
 THE ARCHITECT SHOULD SATISFY HIMSELF THAT ALL TREES LIKELY TO AFFECT HIS DESIGN HAVE BEEN SHOWN

Additional Tree Information added from Survey by
 Permox Cox
 April 2003

Elizabeth A. Ford Landscape Architect 10, The Old Rectory Gloucester, Gloucestershire GL1 2JH Tel: 01452 860347 Fax: 01452 860376 e-mail: 10.ord@btinternet.com		Client: Langdon Commercial	
Project: Charlton Crematorium, Charlton, Andover		Project: Charlton Crematorium, Charlton, Andover	
Drawing: Landscape Proposals		Drawing: Landscape Proposals	
Drawing No. 17/2003		Drawing No. 17/2003	
Scale: 1:500	Date: January 2003	17/01/03	17/01/03
Drawn by: JCR	Checked by: JCR	17/01/03	17/01/03